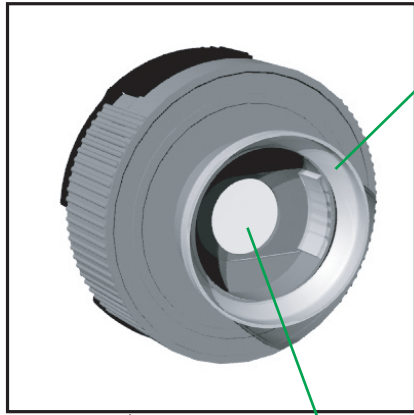


# Sterile camera protection specifications



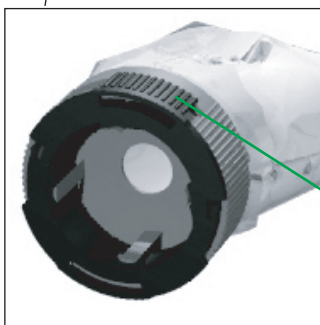
Optic Adaptor is conical and fits to most cameras.



Carton or plastic cable-holder

Small glass interface provides complete sterile to non-sterile barrier.

**NON-STERILE**



**STERILE**

Universal 'CLICK-ON' system fits all optical systems. Allows change of optics during procedures

Antistatic sheet  
2.3 meters

**No adhesives or tapes required for fixation!**